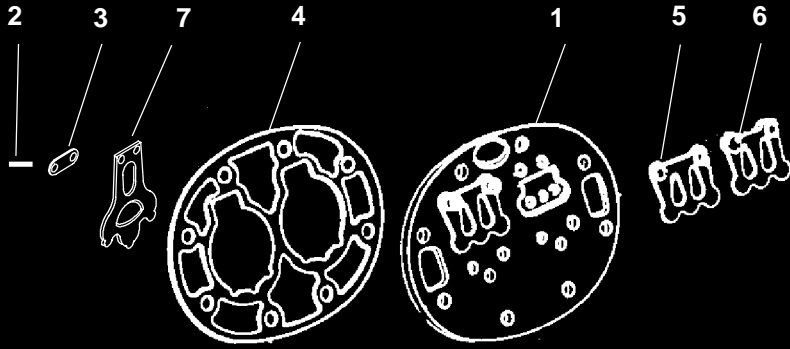




Compressor



# SERVICE PARTS LIST

for

# MODEL 05K COMPRESSOR



**TRANSICOLD**

---

# **SERVICE PARTS LIST**

## **MODEL 05K COMPRESSOR**

# TABLE OF CONTENTS

INTRODUCTION .....	i
MODEL CHART .....	i
ORDERING INSTRUCTIONS .....	ii
GENERAL NOTES .....	ii
COMPRESSOR OIL CHART .....	ii
1 COMPRESSORS .....	1
2 CRANKCASE .....	2
3 CYLINDER HEAD AND SERVICE VALVES (2 CYLINDER) .....	3
4 SERVICE VALVES (4 CYLINDER) .....	4
5 CYLINDER HEADS (4 CYLINDER) .....	5
6 UNLOADERS .....	6
7 VALVE PLATE ASSEMBLY .....	9
8 BEARING HEAD AND OIL PUMP .....	10
9 CRANKSHAFT, ROD AND PISTON GROUP .....	11
10 SHAFT END GROUP .....	12
11 GASKET SET .....	13
12 CLUTCH ASSEMBLIES (BUS & RAIL) .....	14
13 PRESSURE SWITCHES (BUS & RAIL) .....	16
PART NUMBER INDEX .....	Index-1

## INTRODUCTION

This parts list identifies service replacement parts for the 05K Compressors listed in the Model Chart below. To find replacement parts, determine the major group in which the replacement parts are located (refer to the Table of Contents) and turn to the appropriate page for the illustrated parts breakdown of the replacement parts. A detailed list of the tools needed to service the 05K Compressor may be found in the Service Tool List catalog 62-03213.

## MODEL CHART

MODEL	PART NO.	Compressor Configuration	Application
05K – 12CFM	18-60000-04RM	<b>12 CFM</b> , 2 Cylinders Contoured Pistons, Canted Valve Plate POE Oil	Truck <b>R-404a</b> Specific
05K – 12CFM	18-60000-06RM	<b>12 CFM</b> , 2 Cylinders Flat Pistons, Flat Valve Plate POE Oil	Bus & Rail <b>R-134a</b> Specific
05K – 24CFM	18-00056-100RM	<b>24 CFM</b> , 4 Cylinders 1 Unloader Head (For Hot Gas Bypss -Plugged) No Oil	Bus & Rail
05K – 24CFM	18-00057-23RM	<b>24 CFM</b> , 4 Cylinders 1 Unloader Head (For Hot Gas Bypss -Plugged) No Oil	Optima
05K – 24CFM	18-00063-31RM	<b>24 CFM</b> , 4 Cylinders No Unloader Head POE Oil	<b>R-404a</b> Specific

## ORDERING INSTRUCTIONS

All orders and inquiries for parts must include: Unit Serial Number, Part Number, description of part as shown on list and quantity required. Address all correspondence for parts to the following address:

CARRIER TRANSICOLD DIVISION  
Performance Parts Group, TR-20  
P.O. Box 4805, Syracuse, NY 13221.  
or  
Fax to: (315) 432-3778

## GENERAL NOTES

To find replacement parts consult table of contents, and turn to the appropriate page for the illustrated breakdown of replacement parts. The following letter designations are used to classify parts throughout this list.

A/R *As Required*

NSA *Non-Stock Assembly* - order components listed under the assembly.

NSS *Not Sold Separately* - order next higher assembly or kit.

NLO *No Longer Offered* - order replacement part or assembly

PL *Purchase Locally*

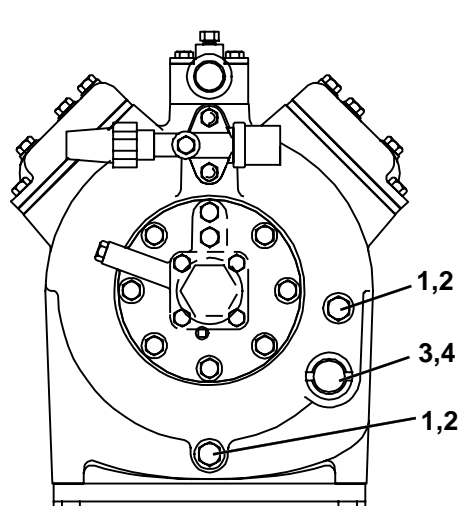
## COMPRESSOR OIL CHART

Part Number	Oil Type	Viscosity	Refrigerants	Application	Packaging
07-00275-00	Mineral	150	R-12, R-22, R-500, R-502	Large Bus	1 Gallon x 6
07-00377-00	Mineral	300	R-12, R-22, R-500	Large Bus	1 Gallon x 6
07-00430-00	Alkyl Benzene (A/B)	68	R-22	Large Bus	1 Gallon x 6
07-00274-00	Alkyl Benzene (A/B)	150	R-12, R-22, R-500, R-502	Trailer	1 Gallon x 6
07-00317-00PK6	Polyolester (POE)	68	R-134a, R-404a	Truck, Trailer, and Large Bus	1 Gallon x 6

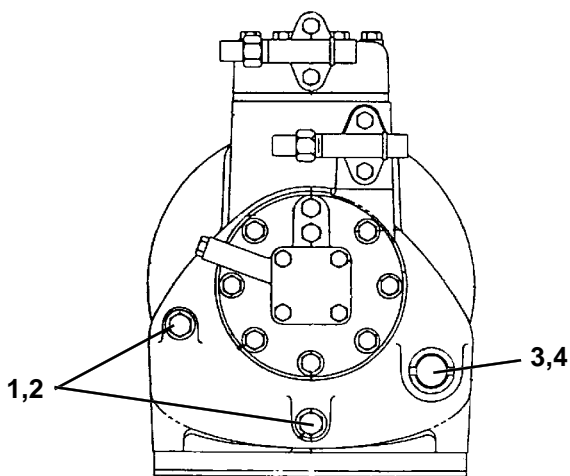
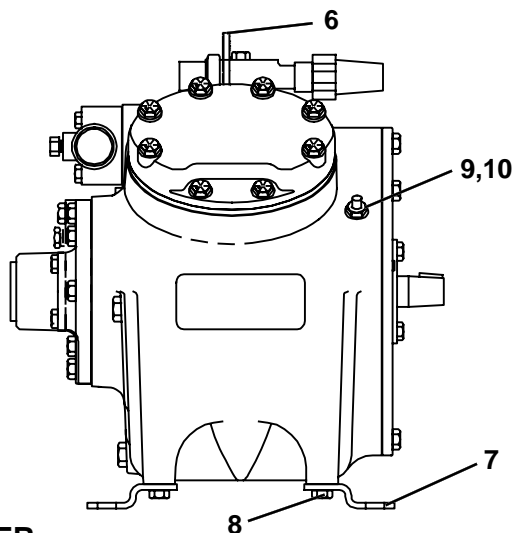
## NOTE

**Refer to the unit operation and service manual for the correct procedure for checking compressor oil level.**

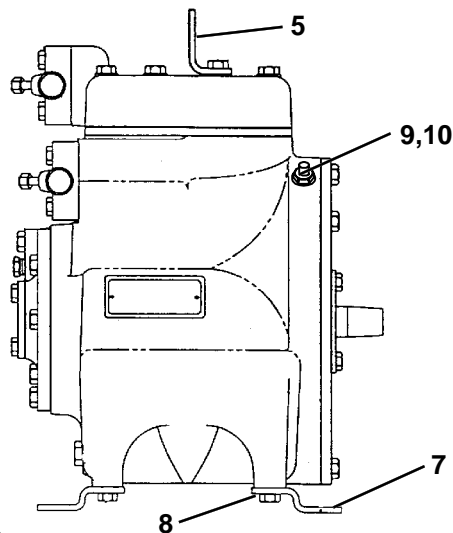
**1. COMPRESSORS**



**4 CYLINDER**

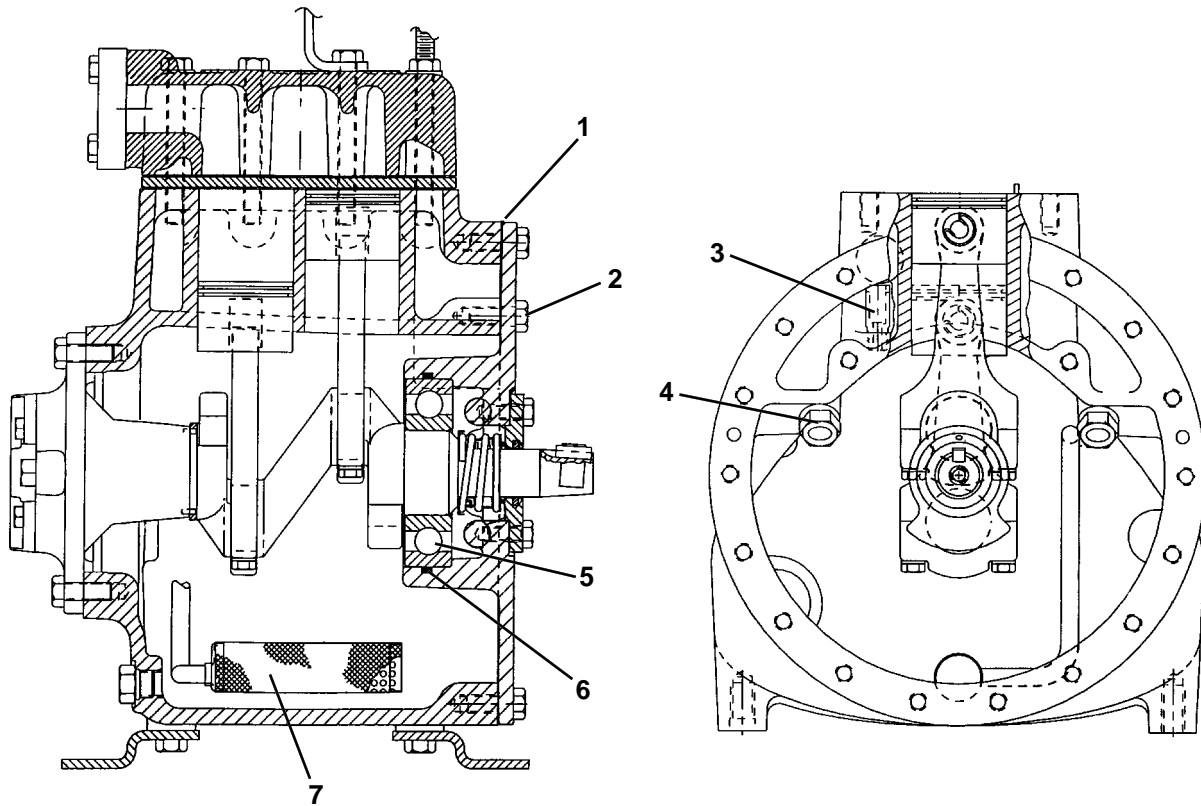


**2 CYLINDER**



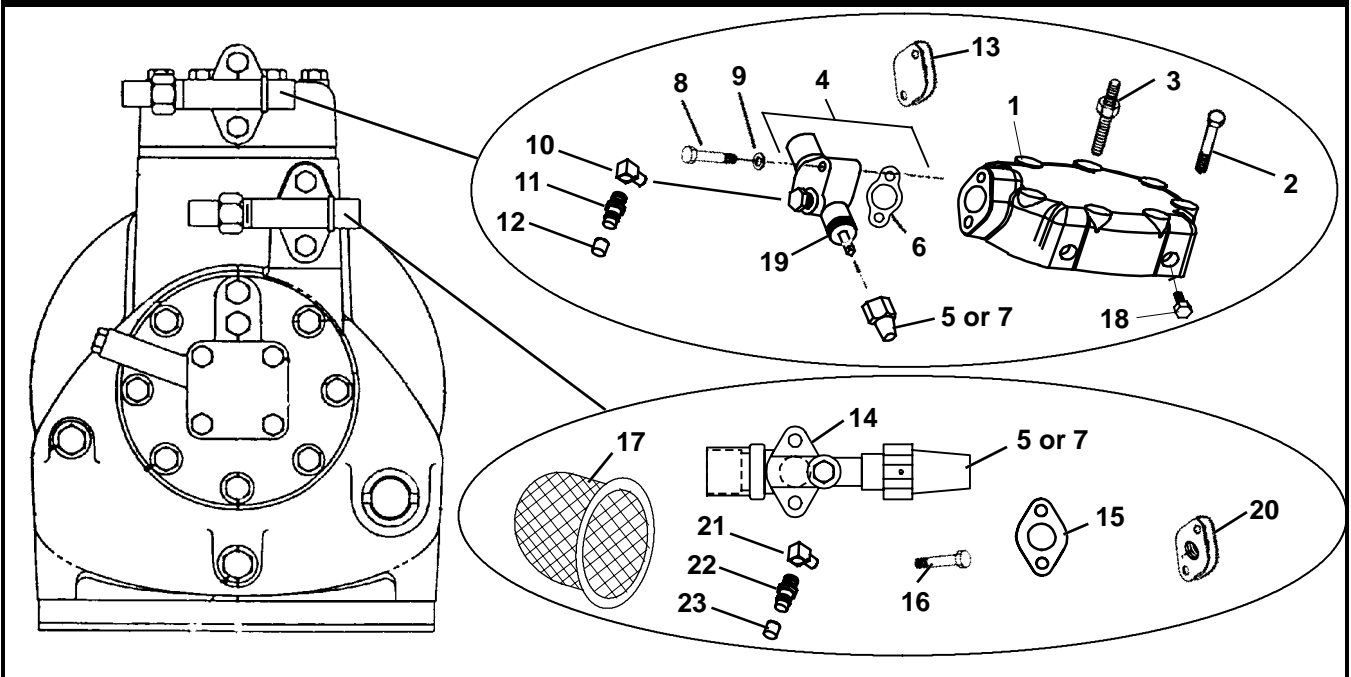
Item	Part Number	Description	Qty
1	17-44037-00	Plug, O-Ring (7/16-20) - Includes:	3
2	42-00243-07	O-Ring	1
1	17-44706-00	Plug, O-Ring (9/16-18) - Includes:	3
2	42-00243-05	O-Ring	1
3	17-10218-00	Sight Glass	1
4	17-44021-00	Gasket, Sight Glass	1
5	17-44701-00	Lug, Lifting - <b>2 Cylinder</b>	1
6	17-44726-00	Lug, Lifting - <b>4 Cylinder</b>	1
7	17-40036-00	Foot	2
8	<b>PL</b>	Capscrew, Hex Head, 1/2-13 x 1 inch Long	4
9	06DA403844	Valve, Access (1/4 Flare, Schrader) (for R-12, R-22, R-404A)	1
	0TB0889	Valve, Access (7/16-20 x 1/4 Flare)	
10	DD19CA061	Cap, 1/4 Flare, Schrader	1

## 2. CRANKCASE



Item	Part Number	Description	Qty
1	17-44023-00	Gasket, Front Cover, <b>2 Cylinder</b> (Metal)	1
	17-44024-00	Gasket, Front Cover, <b>4 Cylinder</b> (Metal)	
2	17-40037-05	Cap Screw, Hex Head, 3/8-16 x 1 Inch Long	24
3	17-44723-00	Valve, Oil Relief	1
4	17-40042-00	Valve, Oil Return	2
5	17-44722-00	Bearing, Main Seal End	1
6	17-44712-00	O-Ring	1
7	17-44717-00	Screen, Oil Filter <b>2 Cylinder</b>	1
	17-44718-00	Screen, Oil Filter <b>4 Cylinder</b>	

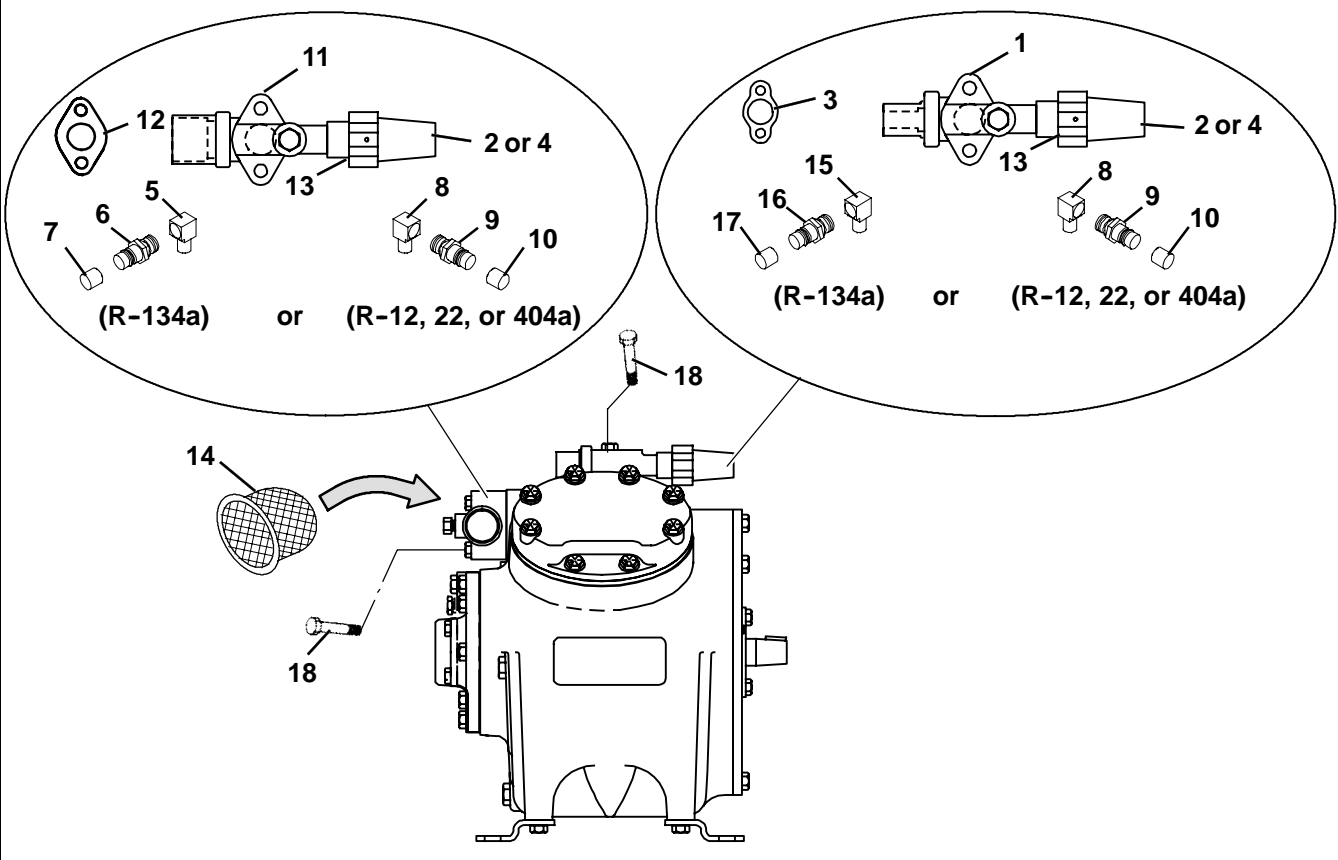
### 3. CYLINDER HEAD AND SERVICE VALVES (2 CYLINDER)



Item	Part Number	Description	Qty
1	17-44700-00	Cylinder Head, Center Bank	1
2	17-40018-05	Capscrew, Hex Head, 3/8 -16 x 3.00 Inches Long - SAE Grade 8	6
3	17-44733-00	Stud, 3/8 -16 x 3.00 Inches Long	2
4	14-01042-01	Valve, Service ( <b>Discharge</b> ) 7/8 Inch ODF - Includes:	1
	14-01042-05	Valve, Service ( <b>Discharge</b> ) 3/4 Inch ODF - Includes:	
5	17-10812-00	Cap, Service Valve ( <b>Plastic</b> )	1
6	17-21003-00	Gasket, Service Valve ( <b>Fiber</b> )	1
	17-44161-00	Gasket, Service Valve ( <b>Metal</b> )	
7	17-10806-10	Cap, Service Valve ( <b>Brass</b> )	1
8	17-13002-00	Capscrew, Hex Head, 5/16 -18 x 1.25 Inches Long - SAE Grade 8	2
9	17-40013-00	Gasket, Capscrew, 5/16 Inch	2
10	40-00524-01	Elbow, 1/8 MPT x M15 - Brass ( <b>for R-134a</b> )	1
11	40-00520-01	Coupling, M15, High Side - Brass - Includes:	1
12	40-00520-03	Cap, Service Port	1
13	17-13008-00	Valve Pad Blank Off, Discharge Service Valve (1-5/8 center line)	1
10	40-00060-08	Elbow, 1/8 MPT x 1/4 FPT - Brass ( <b>for R-12, R-22, R-404A</b> )	1
11	06DA403844	Valve, Access (1/4 Flare, Schrader) ( <b>for R-12, R-22, R-404A</b> )	1
12	DD19CA061	Cap, 1/4 Flare, Schrader	1
14	14-01042-04	Valve, Service ( <b>Suction</b> ) 7/8 Inch ODF - Includes:	1
15	17-10811-05	Gasket, Service Valve ( <b>Fiber</b> )	1
	17-44138-00	Gasket, Service Valve ( <b>Metal</b> )	
5	17-10812-00	Cap, Service Valve ( <b>Plastic</b> )	1
16	17-57019-05	Capscrew, Hex Head, 5/16 -18 x 1.75 Inches Long - SAE Grade 8	2
17	17-44716-00	Strainer, Suction (Starting with S/N 5193J____)	1
18	CA63AA051	Pipe Plug, 1/4 -18NPT (package of 20)	2
19	17-13022-00	Graphite Packing, Service Valve Stem (2-Bolt)	1
20	17-13004-00	Valve Pad Blank Off, Suction Service Valve (1-3/4 center line)	1
21	40-00524-00	Elbow, 1/4 NPT x M13, Brass (for R-134a)	1
22	40-00520-00	Coupling, M13, R-134a, Brass - Includes:	1
23	40-00520-02	Cap, Service Port	1

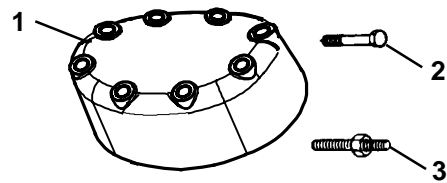


#### 4. SERVICE VALVES (4 CYLINDER)

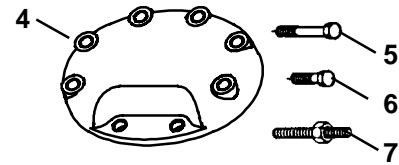


Item	Part Number	Description	Qty
1	14-01042-01	Valve, Service ( <b>Discharge</b> ) 7/8 Inch ODS - Includes:	1
	14-13000-01	Valve, Service ( <b>Discharge</b> ) 3/4 Inch ODS - Includes:	
2	17-10812-00	Cap, Service Valve ( <b>Plastic</b> )	1
3	17-21003-00	Gasket, Service Valve ( <b>Fiber</b> )	1
	17-44161-00	Gasket, Service Valve ( <b>Metal</b> )	
4	17-10806-10	Cap, Service Valve ( <b>Brass</b> )	1
5	40-00524-01	Elbow, 1/8 MPT x M15 - Brass ( <b>for R-134a</b> )	1
6	40-00520-01	Coupling, M15, High Side - Brass - Includes:	1
7	40-00520-03	Cap, Service Port	1
8	40-00060-08	Elbow, 1/8 MPT x 1/4 FPT - Brass ( <b>for R-12, R-22, R-404A</b> )	1
9	06DA403844	Valve, Access (1/4 Flare, Schrader) ( <b>for R-12, R-22, R-404A</b> )	1
10	DD19CA061	Cap, 1/4 Flare, Schrader	1
11	14-01042-04	Valve, Service ( <b>Suction</b> ) 7/8 Inch ODS - Includes:	1
	14-01042-03	Valve, Service ( <b>Suction</b> ) 1-1/8 Inch ODS - Includes:	
12	17-10811-05	Gasket, Service Valve	1
2	17-10812-00	Cap, Service Valve ( <b>Plastic</b> )	1
13	17-13022-00	Graphite Packing, Service Valve Stem (2-Bolt)	1
14	17-44716-00	Strainer, Suction (Starting with S/N 5193J_____)	1
15	40-00524-00	Elbow, 1/4 NPT x M13, Brass ( <b>for R-134a</b> )	1
16	40-00520-00	Coupling, M13, R-134a, Brass - Includes:	1
17	40-00520-02	Cap, Service Port	1
18	17-40012-00	Capscrew, Hex Head, 5/16 -18 x 2 Inches Long - SAE Grade 8	4

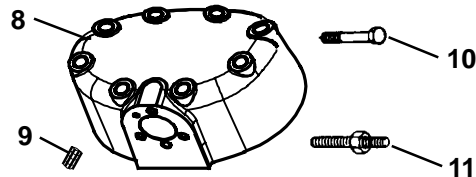
## 5. CYLINDER HEADS (4 CYLINDER)



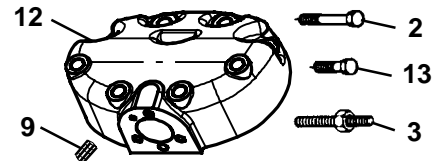
STANDARD HEAD



STANDARD SHAVED HEAD



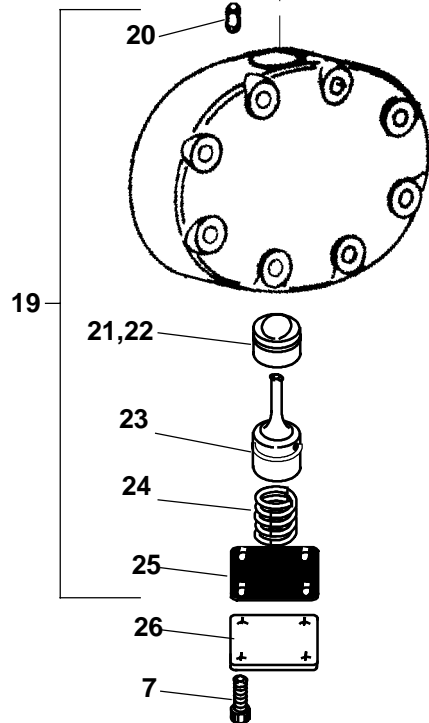
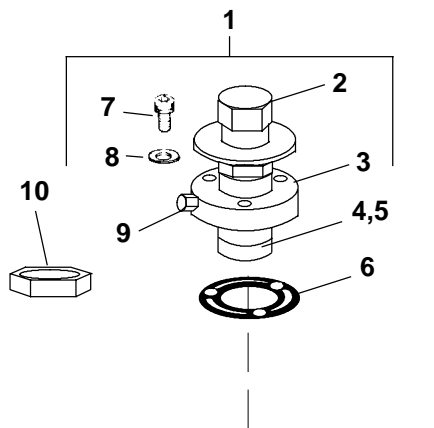
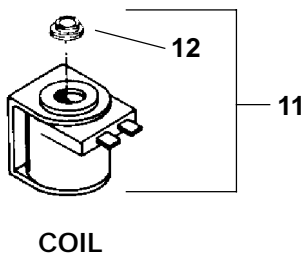
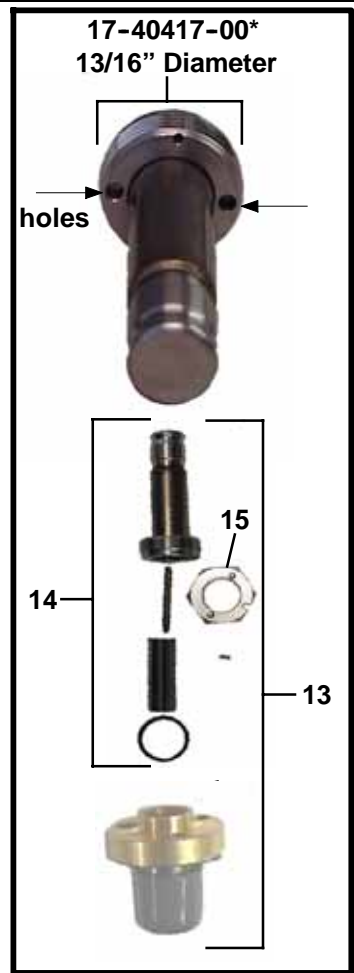
UNLOADER HEAD



UNLOADER SHAVED HEAD

Item	Part Number	Description	Qty
1	17-44731-00	Cylinder Head - <b>(No Unloader)</b>	1
2	17-44117-00	Capscrew, Hex Head, 3/8-16 x 2-1/4 Inches Long - SAE Grade 8	A/R
3	17-57010-01	Stud, Cylinder Head, 3/8-16 x 2-1/2 Inches Long	A/R
4	17-21040-00	Cylinder Head - <b>(No Unloader - Shaved)</b>	1
5	17-40034-05	Capscrew, Hex Head, 3/8-16 x 2 Inches Long - SAE Grade 8	A/R
6	17-40037-05	Capscrew, Hex Head, 3/8-16 x 1 Inch Long	2
7	17-44732-00	Stud, Cylinder Head, 3/8-16 x 2 Inches Long	A/R
8	17-21041-00	Cylinder Head - <b>(Unloader - Suction Cutoff)</b>	1
	17-40104-05	Cylinder Head - <b>(Unloader - Hot Gas Bypass)</b>	
9	17-40108-00	Strainer	1
10	17-40018-05	Capscrew, Hex Head, 3/8-16 x 3 Inches Long - SAE Grade 8	A/R
11	17-44017-01	Stud, Cylinder Head, 3/8-16 x 4-1/4 Inches Long	A/R
12	17-44760-00	Cylinder Head - <b>(Unloader - Hot Gas Bypass - Shaved)</b>	1
2	17-44117-00	Capscrew, Hex Head, 3/8-16 x 2-1/4 Inches Long - SAE Grade 8	A/R
13	AA06GR232	Capscrew, Hex Head, 3/8-16 x 1-1/4 Inches Long - SAE Grade 8	2
3	17-57010-01	Stud, Cylinder Head (Shaved), 3/8-16 x 2-1/2 Inches Long	A/R

6. UNLOADERS

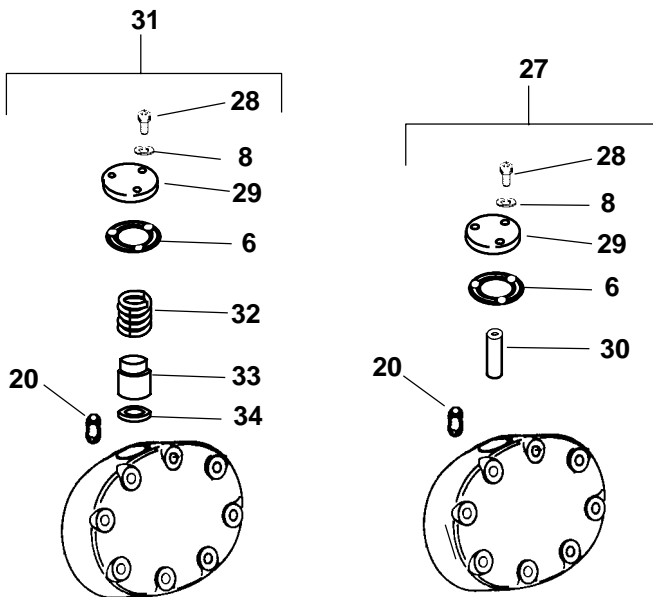


\* **NOTE:** If Unloader 17-40415-00 needs stem repair, Unloader 17-40417-00 is to be substituted, entirely. 17-40417-00 Replaces all previous unloaders.

<b>6. UNLOADERS (Continued)</b>			
<b>Item</b>	<b>Part Number</b>	<b>Description</b>	<b>Qty</b>
1	17-55018-01	Valve Assembly (Pressure) - Includes:	A/R
2	<b>NSS</b>	Power Assembly, Unloader (Suction Pressure Activated)	1
3	<b>NSS</b>	Body Assembly, Valve	1
4	17-40409-00	Piston (For Hot Gas Bypass Unloaders) - Includes:	1
5	17-55010-00	Ring, Piston	1
6	17-40104-07	Gasket, Unloader Valve	1
7	17-40111-00	Screw, Socket Head, 1/4-28 x 3/4 Inch Long	1
8	17-40104-20	Gasket, Socket Head Screw, 1/4 Inch	1
9	14-50100-00	Cap, Adjustment Screw With O-Ring	1
10	34-01139-00	Nut, Unloader Adjuster Lock	1
11	22-02567-00	Coil, Valve, 12 VDC with Spade Terminal - Includes:	A/R
	14-00143-07	Coil, Valve, 12 VDC with 6 inch wire leads - Includes:	
	22-50030-00	Coil, Valve, 24 VDC with 42 inch wire leads - Includes:	
	22-02567-01	Coil, Valve, 24 VAC with Spade Terminal - Includes:	
	16-00149-00	Coil, Valve, 115 VAC with 42 inch wire leads - Includes:	
	17-10829-00	Coil, Valve, 230 VAC with 42 inch wire leads - Includes:	
12	17-40408-02	Cap, Snap	1
13	17-40415-00	Valve Assembly (Electric) - Includes:	A/R
3	<b>NSS</b>	Body Assembly, Valve	1
4	17-40409-00	Piston (For Hot Gas Bypass Unloaders) - Includes:	1
5	17-55010-00	Ring, Piston	1
6	17-40104-07	Gasket, Unloader Valve	1
7	17-40111-00	Screw, Socket Head, 1/4-28 x 3/4 Inch Long	1
8	17-40104-20	Gasket, Socket Head Screw, 1/4 Inch	1
14	17-40418-00	Kit, Valve Stem Repair (For 17-40417-00) - Includes:	1
15	<b>NSS</b>	Tool, Installation Remover (13/16 Inch Nut)	1
16	16-00143-01	Kit, Valve Stem Repair (For 17-40407-20- <b>NLO</b> ) - Includes:	1
17	<b>NSS</b>	Tool, Installation Remover (1 Inch Nut)	1
18	17-55022-00	O-Ring	1
19	17-21055-00	Kit, Repair (For Suction Cutoff Unloaders) - Includes:	2
20	17-40108-00	Strainer	1
21	17-21047-00	Ring, Piston	1
22	<b>NSS</b>	Piston	1
23	<b>NSS</b>	Body, Valve	1
24	17-21044-00	Spring, Compression	1
25	17-21046-00	Gasket, Valve Cover	1
26	17-21045-00	Cover, Valve	1
7	17-40111-00	Screw, Socket Head, 1/4-28 x 3/4 Inch Long	4

NOTE: 17-40407-20 and 17-40415-00 Unloader Assemblies are no longer offered, use Item 13.

6 UNLOADERS (Continued)

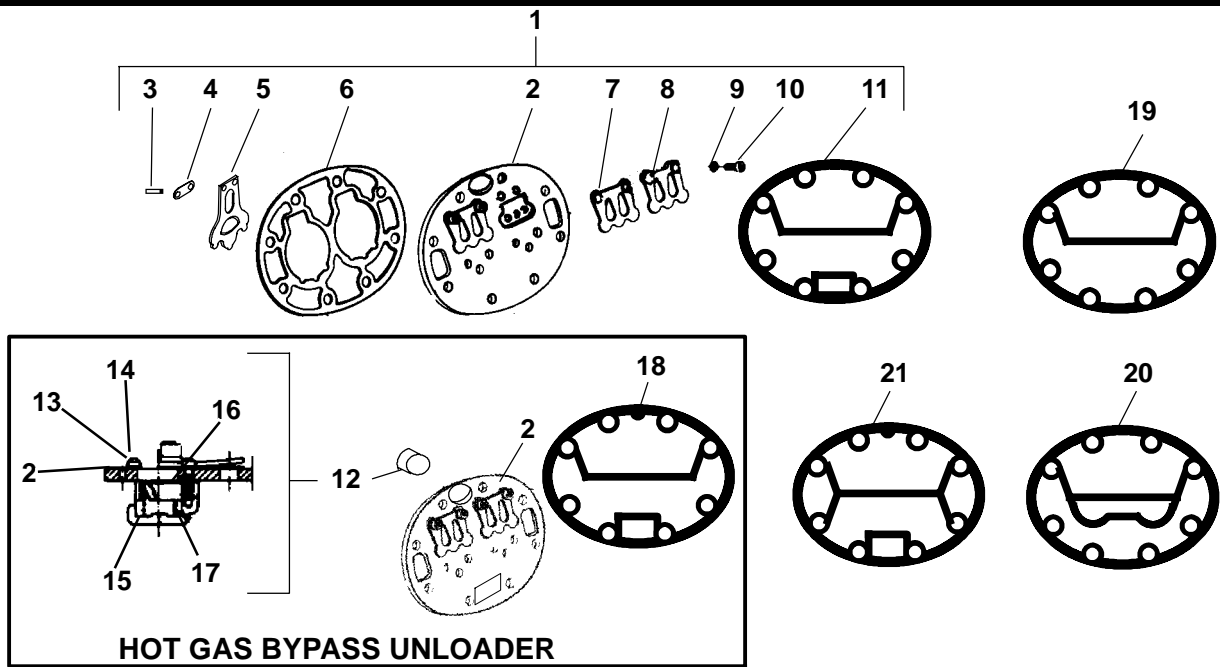


PLUG -- HOT GAS BYPASS

PLUG -- SUCTION CUTOFF

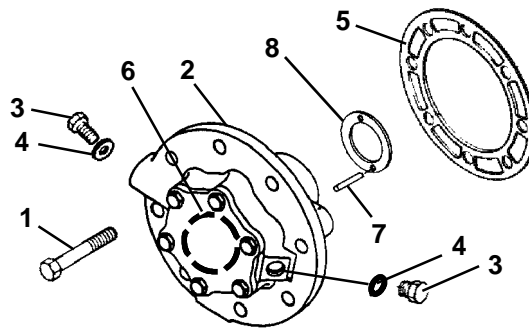
Item	Part Number	Description	Qty
27	17-21056-00	Kit, Plug (Suction Cutoff To Fully Loaded) - Includes:	A/R
28	17-10721-00	Screw, Socket Head, 1/4-28 x 1 Inch Long	3
29	<b>NSS</b>	Plate, Cover	1
30	<b>NSS</b>	Sleeve, Plug	1
6	17-40104-07	Gasket, Unloader Valve	1
8	17-40104-20	Gasket, Socket Head Screw, 1/4 Inch	1
31	17-55013-00	Kit, Plug (Hot Gas Bypass To Fully Loaded) - Includes:	A/R
32	<b>NSS</b>	Spring	1
33	<b>NSS</b>	Plug	1
34	17-55014-00	Ring, Seat	1
6	17-40104-07	Gasket, Unloader Valve	1
8	17-40104-20	Gasket, Socket Head Screw, 1/4 Inch	1
20	17-40108-00	Stainer	1
28	17-10721-00	Screw, Socket Head, 1/4-28 x 1 Inch Long	3
29	<b>NSS</b>	Plate, Cover	1

## 7 VALVE PLATE ASSEMBLY

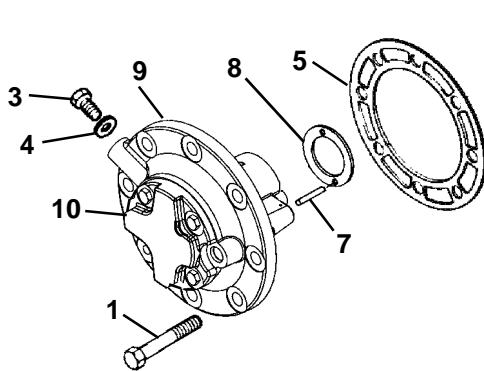


Item	Part Number	Description	Qty
1	17-44104-00	Valve Plate, Canted Narrow Seat, Side Bank W/ Hot Gas Bypass Unloader - Includes:	1
	17-44105-00	Valve Plate, Canted Narrow Seat, Center Or Side Bank With Suction Cutoff Unloader Or No Unloader - Includes:	
	17-44106-00	Valve Plate, Flat, Side Bank With Hot Gas Bypass Unloader - Includes:	
	17-44107-00	Valve Plate, Flat, Center & Side With Suction Cutoff Unloader - Includes:	
	17-44099-00	Valve Plate, Flat, Side With No Unloader - Includes:	
2	<b>NSS</b>	Valve Plate	1
3	17-40057-00	Dowel, Pin Suction Valve	4
4	17-40083-00	Spring, Suction Valve Position	2
5	17-44111-00	Valve, Suction (0.018 Inch Thick) - O5G and O5K	2
6	17-44007-06	Gasket, Valve Plate, O5G	1
	17-55002-00	Gasket, Valve Plate, O5K	
7	17-40086-00	Valve, Discharge	2
8	17-44160-00	Stop, Discharge Valve	2
9	17-10715-00	Lockwasher, 1/4	4
10	17-44113-00	Capscrew, HexHead, 1/4-28 x 3/8 Inch Long	4
11	17-44123-00	Gasket, Center Cylinder Head	1
12	17-55012-00	Unloader Check Valve (Hot Gas Bypass Unloader) - Includes:	1
13	<b>NSS</b>	Lockwasher, #6	2
14	<b>NSS</b>	Screw, Round Phillips Head, #6-32 x 1/2 Inch Long	2
15	<b>NSS</b>	Body Check Valve	1
16	17-40104-08	Piston, Check Valve	1
17	17-40104-09	Spring, Check Valve	1
18	17-44126-00	Gasket, Side Cylinder Head (Hot Gas Bypass Unloader)	1
19	17-44124-00	Gasket, Side Cylinder Head (No Unloader)	1
20	17-44125-00	Gasket, Side Cylinder Head (Suction Cutoff Unloader)	1
21	17-44761-00	Gasket, Side Cylinder Head (Shaved Hot Gas Bypass Unloader)	1

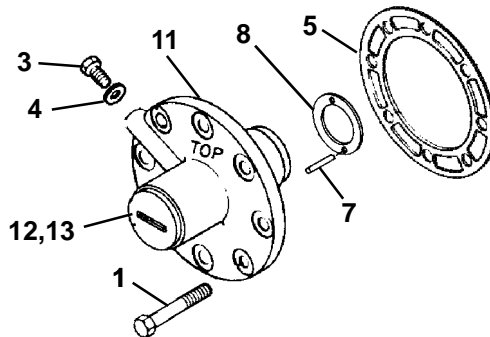
## 8. BEARING HEAD AND OIL PUMP



UNIVERSAL PUMP



LOW PROFILE PUMP (NLO)

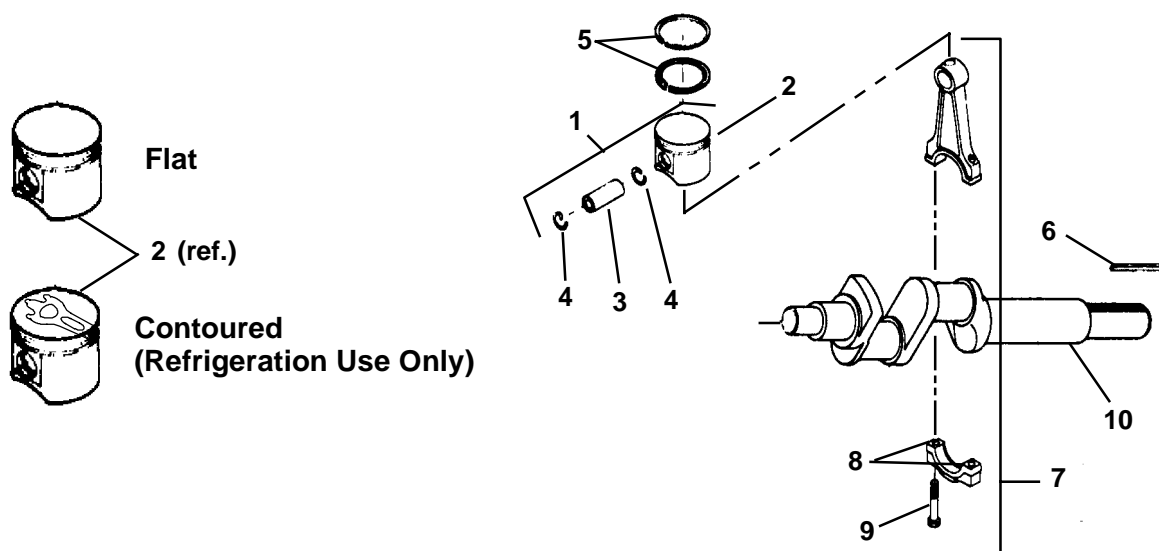


GEAR PUMP (NLO)

Item	Part Number	Description	Qty
1	17-10308-00	Capscrew, Hex Head, 3/8-16 x 1-1/4 Inches Long - SAE Grade 5	8
2	17-44137-00	Oil Pump and Bearing Head (Universal Gear Pump) - Includes:	1
3	<b>PL</b>	Capscrew, Hex Head, 3/8-16 x 3/4 Inches Long - SAE Grade 5	1
	17-44037-00	Plug, O-Ring, 7/16-20 - Includes:	
4	42-00243-07	O-Ring	1
5	17-40078-05	Gasket, Bearing Head (Fiber)	1
	17-44022-00	Gasket, Bearing Head (Metal)	1
6	17-44139-00	O-Ring, Pump Cover Plate	1
7	17-40204-00	Pin, Roll, 1/8 x 1/2 Inch	2
8	17-55009-01	Thrustwasher, Pump End	1
9	<b>SEE NOTE</b>	Oil Pump and Bearing Head Assembly (Low Profile Gear Pump)	1
10	42-00045-01	O-Ring	1
11	<b>SEE NOTE</b>	Oil Pump and Bearing Head Assembly (Gear Pump) - Includes:	1
12	17-44033-01	Cover Assembly, Screw - Includes:	1
13	17-44033-02	Gasket, O-Ring	1

**NOTE:** Low Profile (Item 9) and Gear Oil Pump (Item 11) Bearing Head Assemblies are no longer offered, use the Universal Gear Pump (Item 2) to replace entire oil pump assembly.

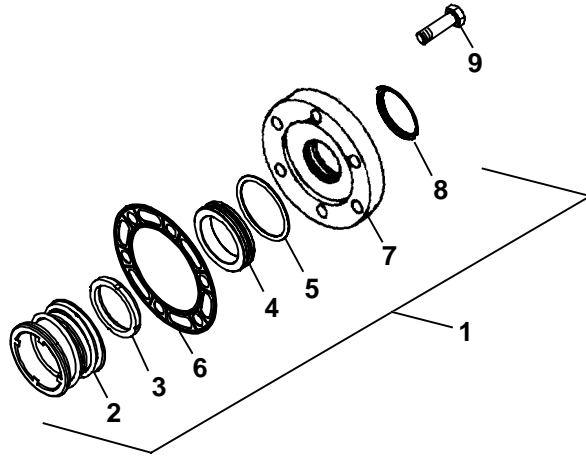
**9 CRANKSHAFT, ROD AND PISTON GROUP**



Item	Part Number	Description	Qty
1	17-44715-00	Piston & Pin, <b>(Standard - Flat Top)</b> - Includes:	A/R
	17-44715-02	Piston & Pin, <b>(.020 Over - Flat Top)</b> - Includes:	
1	17-44727-00	Piston & Pin, <b>(Standard - Contoured)</b> - Includes:	A/R
	17-44727-02	Piston & Pin, <b>(.020 Over - Contoured)</b> - Includes:	
2	<b>NSS</b>	Piston	1
3	17-44702-00	Pin, Piston	1
4	17-44703-00	Retainer, Piston Pin	1
5	17-40055-00	Ring, Compression <b>(Standard)</b>	A/R
	17-55025-00	Ring, Compression <b>(.020 Inch Oversize)</b>	
6	17-44719-00	Key, Crankshaft	1
7	17-44704-00	Connecting Rod and Cap <b>(2 Cylinder Standard)</b> - Includes:	A/R
	17-40056-02	Connecting Rod and Cap <b>(4 Cylinder Standard)</b> - Includes:	
	17-55023-00	Connecting Rod and Cap <b>(4 Cylinder .010)</b> - Includes:	
8	17-40057-00	Pin, Dowel	2
9	17-55008-00	Capscrew (Special)	2
10	17-44724-00	Crankshaft Assembly, <b>(2 Cylinder)</b>	1
	17-44729-10	Crankshaft Assembly <b>(4 Cylinder - Universal Pump)</b>	
	17-44725-00	Crankshaft Assembly <b>(4 Cylinder - Gear &amp; Low Profile Pumps)</b>	

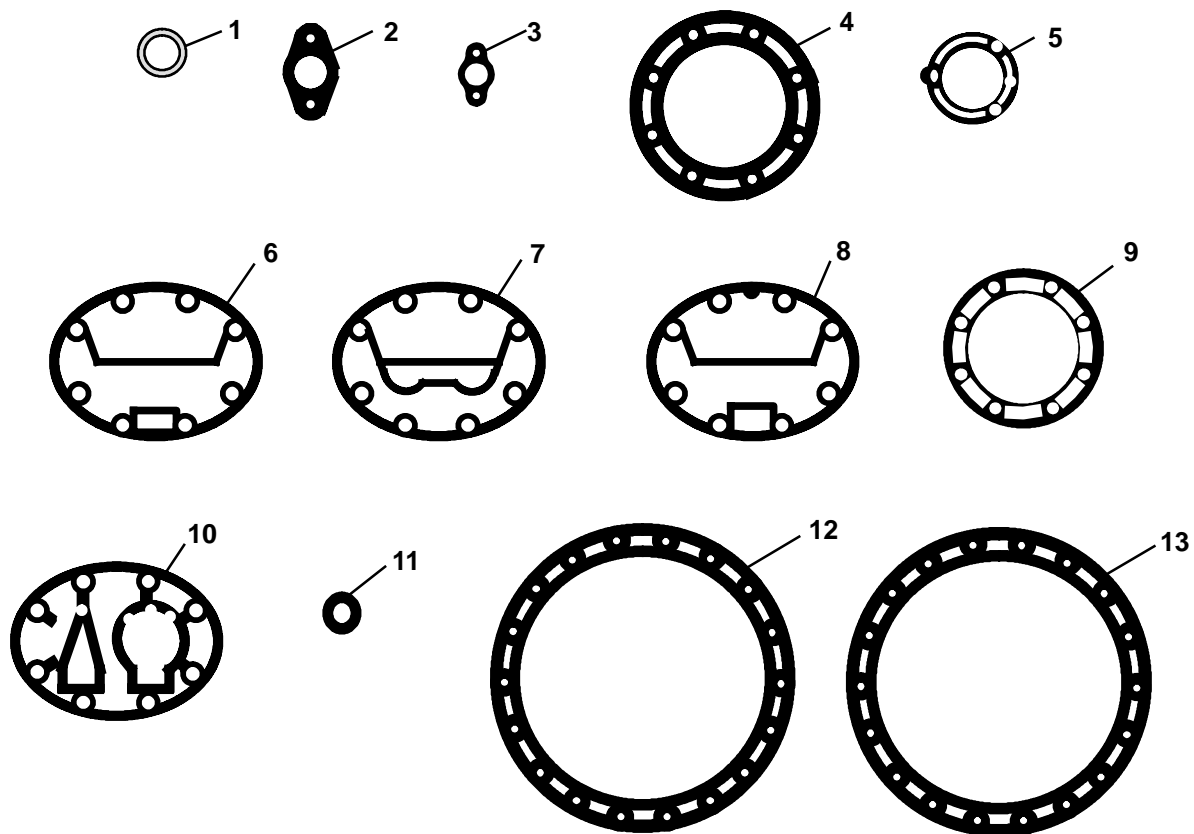


## 10. SHAFT END GROUP



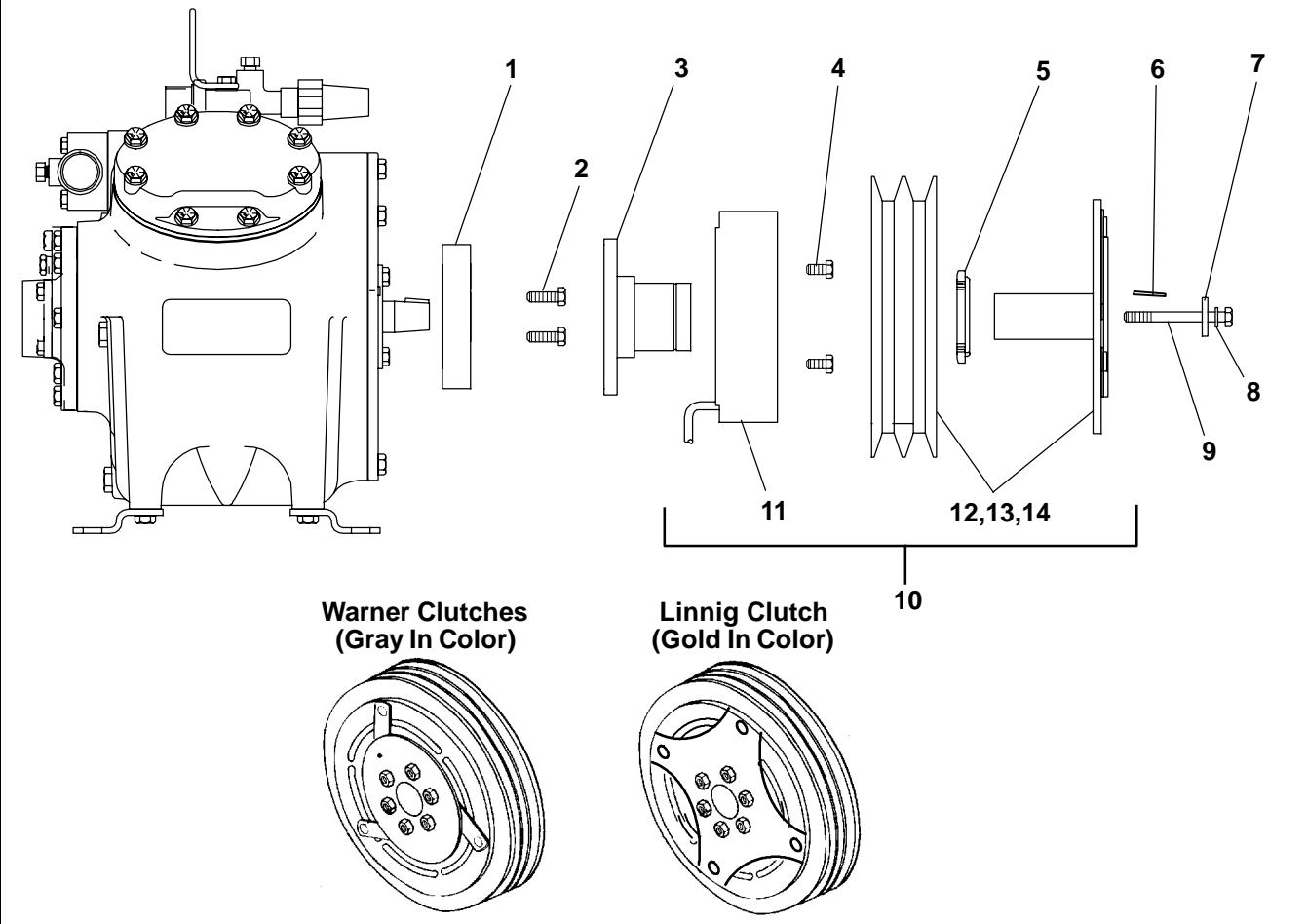
Item	Part Number	Description	Qty
1	17-44740-00	Seal Assembly (Shaft) - Includes:	1
2	<b>NSS</b>	Spring And Bellows Assembly, Shaft Seal	1
3	17-56027-00	Ring, Carbon	1
4	<b>NSS</b>	Ring, Wear Silicone Carbide	1
5	KK-71GW-015	O-Ring	1
6	17-44713-00	Gasket, Seal Plate (Shaft)	1
7	<b>NSS</b>	Plate, Seal (Shaft)	1
8	17-10301-00	Felt Ring	1
9	17-40077-05	Capscrew, Hex Head, 5/16 - 18 x 3/4 Inches Long - SAE Grade 8	6

## 11. GASKET SET

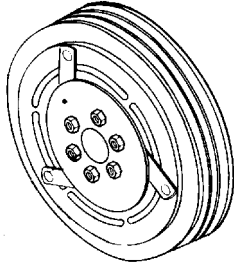


Item	Part Number	Description	Qty
-	17-44707-00	Gasket Set - Includes:	1
1	17-44021-00	Gasket, Sight Glass - Metal	1
2	17-10811-05	Gasket, Suction Service Valve (2 Bolt) - 1-3/4 Inch Center	1
3	17-21003-00	Gasket, Discharge Service Valve	1
4	17-44022-00	Gasket, Oil Pump Bearing Head	1
5	17-40104-07	Gasket, Unloader Body	2
6	17-44123-00	Gasket, Cylinder Head - Center	1
7	17-44125-00	Gasket, Cylinder Head - Side Bank (No Unloader)	1
8	17-44126-00	Gasket, Cylinder Head - Side Bank (Hot Gas Bypass Unloader)	1
9	17-44713-00	Gasket, Seal Plate (Shaft)	1
10	17-55002-00	Gasket, Valve Plate	2
11	17-44712-00	O-Ring	1
12	17-44023-00	Gasket, Front Cover (2 Cylinder)	1
13	17-44024-00	Gasket, Front Cover (4 Cylinder)	1

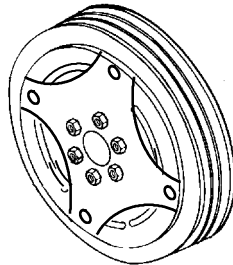
## 12. CLUTCH ASSEMBLIES (BUS & RAIL)



**Warner Clutches  
(Gray In Color)**



**Linnig Clutch  
(Gold In Color)**

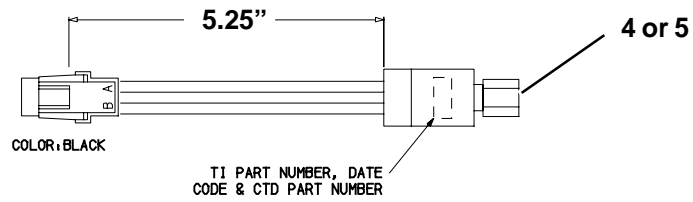
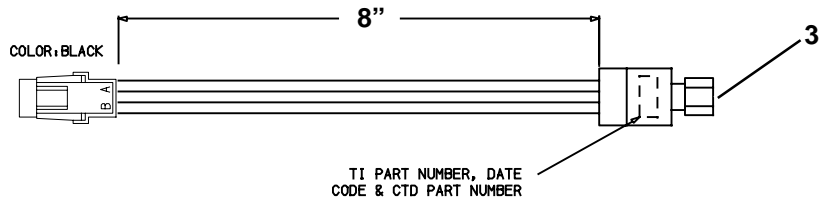
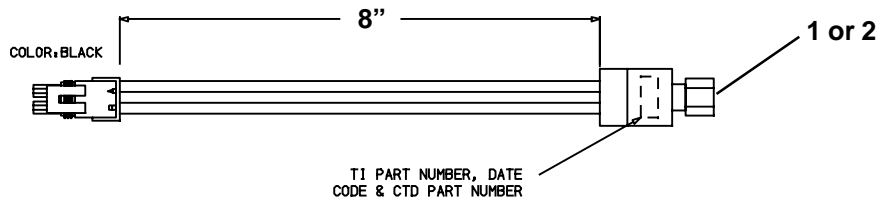


Item	Part Number	Description	Qty
1	68PD1-1003	Adapter	1
2	34-00615-08	Capscrew, Hex Head, 5/16-18 x 1 Inch Long - SAE Grade 8	4
3	68PD1-1013	Hub, Clutch Mounting	1
4	34-00615-05	Capscrew, Hex Head, 5/16-18 x 5/8 Inch Long - SAE Grade 8	6
5	34-06083-00	Nut, Hub Without Grease Fitting Port	1
6	17-44719-00	Key, Crankshaft, 1/4 Inch Square X 3/4 Inch Long	1
7	68G2-9082-1	Washer, 13/32 ID x 1-1/2 OD x 3/16 Inch Thick	1
8	AU11AR241	Washer, Split Lock, 5/16 Inch	1
9	17-10308-00	Screw, Hex Head, 5/16-18 x 3.25 Inches Long, Grade 8, Zinc Plated	1

**12. CLUTCH ASSEMBLIES (BUS & RAIL) (Continued)**

<b>Item</b>	<b>Part Number</b>	<b>Description</b>	<b>Qty</b>
<b>Warner Clutches (Gray In Color)</b>			
10	50-01122-13	Clutch, Assembly, 24 VDC, 2B Grooves, 9 Inch Diameter - Includes:	1
11	50-01122-50	Coil, 24 VDC	1
12	50-01122-92	Rotor/Armature, 2B Grooves, 9 Inch Diameter - Includes:	1
13	34-01186-00	Ring, Snap	1
14	04-00130-00	Bearing, Rotor	1
10	50-01122-15	Clutch, Assembly, 12 VDC, 2B Grooves, 9 Inch Diameter - Includes:	1
11	50-01122-41	Coil, 12 VDC	1
12	50-01122-92	Rotor/Armature, 2B Grooves, 9 Inch Diameter - Includes:	1
13	34-01186-00	Ring, Snap	1
14	04-00130-00	Bearing, Rotor	1
10	50-01122-21	Clutch, Assembly, 24 VDC, 2B-2A Grooves, 10.35 Inch Diameter - Includes:	1
11	50-01122-50	Coil, 24 VDC	1
12	50-01122-99	Rotor/Armature, 2B-2A Grooves, 10.35 Inch Diameter - Includes:	1
13	34-01186-00	Ring, Snap	1
14	04-00130-00	Bearing, Rotor	1
10	50-01122-23	Clutch, Assembly, 24 VDC, 2A-2B Grooves, 10.31 Inch Diameter - Includes:	1
11	50-01122-50	Coil, 24 VDC	1
12	50-01122-500	Rotor/Armature, 2A-2B Grooves, 10.31 Inch Diameter - Includes:	1
13	34-01186-00	Ring, Snap	1
14	04-00130-00	Bearing, Rotor	1
<b>Linnig Clutch (Gold In Color)</b>			
10	50-00226-21	Clutch, Assembly, 24 VDC, 2B-2A Grooves, 10.35 Inch Diameter - Includes:	1
11	50-00226-50	Coil, 24 VDC	1
13	50-50040-05	Ring, Snap	1
14	50-50040-04	Bearing, Rotor	1

### 13. PRESSURE SWITCHES (BUS & RAIL)



Item	Part Number	Description	Qty
1	12-00299-00	Switch, High Pressure - R-22 (Black Wires)	1
2	12-00299-07	Switch, High Pressure - R-134a (Yellow Wires)	1
3	12-00299-01	Switch, Low Pressure - R-22 & R-134a (Red Wires)	1
4	12-00334-01	Switch, Pressure (UPS1) - R-22 (White/Green Wires)	1
5	12-00334-03	Switch, Pressure (UPS1) - R-134a (Yellow/Lt. Blue Wires)	1

# PART NUMBER INDEX

PART NO.	PAGE NO.	PART NO.	PAGE NO.	PART NO.	PAGE NO.
04-00130-00	15	17-40012-00	4	17-44107-00	9
06DA403-844	1, 3, 4	17-40018-05	3, 5	17-44111-00	9
0TB0889	1	17-40034-05	5	17-44113-00	9
12-00299-00	16	17-40036-00	1	17-44117-00	5
12-00299-01	16	17-40037-05	2, 5	17-44123-00	9, 13
12-00299-07	16	17-40042-00	2	17-44124-00	9
12-00334-01	16	17-40055-00	11	17-44125-00	9, 13
12-00334-03	16	17-40056-02	11	17-44126-00	9, 13
14-00143-07	7	17-40057-00	9, 11	17-44137-00	10
14-01042-01	3, 4	17-40077-05	12	17-44138-00	3
14-01042-03	4	17-40078-05	10	17-44139-00	10
14-01042-04	3, 4	17-40083-00	9	17-44160-00	9
14-01042-05	3	17-40086-00	9	17-44161-00	3, 4
14-13000-01	4	17-40104-05	5	17-44701-00	1
14-50100-00	7	17-40104-07	7, 8, 13	17-44702-00	11
16-00143-01	7	17-40104-08	9	17-44703-00	11
16-00149-00	7	17-40104-09	9	17-44704-00	11
17-10218-00	1	17-40104-20	7, 8	17-44706-00	1
17-10301-00	12	17-40108-00	5, 7, 8	17-44707-00	13
17-10308-00	10, 14	17-40111-00	7	17-44712-00	2, 13
17-10715-00	9	17-40204-00	10	17-44713-00	12, 13
17-10721-00	8	17-40408-02	7	17-44715-00	11
17-10806-10	3, 4	17-40409-00	7	17-44715-02	11
17-10811-05	3, 4, 13	17-40415-00	7	17-44716-00	3, 4
17-10812-00	3, 4	17-40418-00	7	17-44717-00	2
17-10829-00	7	17-44013-00	3	17-44718-00	2
17-13002-00	3	17-44017-01	5	17-44719-00	11, 14
17-13008-00	3	17-44021-00	1, 13	17-44722-00	2
17-13022-00	3, 4	17-44022-00	10, 13	17-44723-00	2
17-21003-00	3, 4, 13	17-44023-00	2, 13	17-44724-00	11
17-21040-00	5	17-44024-00	2, 13	17-44725-00	11
17-21041-00	5	17-44033-01	10	17-44726-00	1
17-21044-00	7	17-44033-02	10	17-44727-00	11
17-21045-00	7	17-44037-00	1, 10	17-44727-02	11
17-21046-00	7	17-44099-00	9	17-44729-10	11
17-21047-00	7	17-44104-00	9	17-44731-00	5
17-21055-00	7	17-44105-00	9	17-44732-00	5
17-21056-00	8	17-44106-00	9	17-44733-00	3
				17-44740-00	12

# PART NUMBER INDEX

PART NO.	PAGE NO.	PART NO.	PAGE NO.	PART NO.	PAGE NO.
17-44760-00	5	22-50030-00	7	50-01122-21	15
17-44761-00	9	34-00615-05	14	50-01122-23	15
17-55002-00	9, 13	34-00615-08	14	50-01122-41	15
17-55008-00	11	34-01139-00	7	50-01122-50	15
17-55009-01	10	34-01161-00	14	50-01122-500	15
17-55010-00	7	34-01186-00	15	50-01122-92	15
17-55012-00	9	40-00520-00	3, 4	50-01122-99	15
17-55013-00	8	40-00520-01	3, 4	50-50040-04	15
17-55014-00	8	40-00520-02	3, 4	50-50040-05	15
17-55018-01	7	40-00520-03	3, 4	68G2-9082-1	14
17-55022-00	7	40-00524-00	3, 4	68PD1-1003	14
17-55023-00	11	40-00524-01	3, 4	68PD1-1013	14
17-55025-00	11	42-00045-01	10	7-44700-00	3
17-56027-00	12	42-00243-05	1	AA06GR232	5
17-57010-01	5	42-00243-07	1, 10	AU11AR241	14
17-57019-05	3	50-00226-21	15	CA63AA051	3
22-02567-00	7	50-00226-50	15	DD19CA061	1, 3, 4
		50-01122-13	15	KK-71GW-015	12
		50-01122-15	15		

**North America**  
Carrier Transicold  
700 Olympic Drive  
Athens, GA 30601 USA  
Tel: 1-706-357-7223  
Fax: 1-706-355-5435

**Central America  
and Mexico**  
Ejercito Nacional No. 418  
Piso 9, Torre Yumal  
Col. Chapultepec Morales  
11570 Mexico, D.F.  
Tel: (5255) 9126.0300  
Fax: (5255) 9126.0373



**Carrier**

A United Technologies Company

Carrier Transicold Division,  
Carrier Corporation  
Truck/Trailer Products Group  
P.O. Box 4805  
Syracuse, N.Y. 13221 U.S.A

[www.carrier.transicold.com](http://www.carrier.transicold.com)



A member of the United Technologies Corporation family. Stock symbol UTX  
©2011 Carrier Corporation D Printed in U. S. A. 06/11